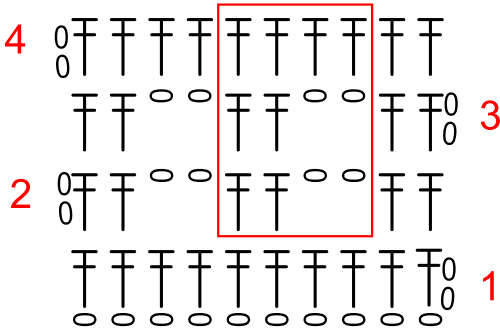




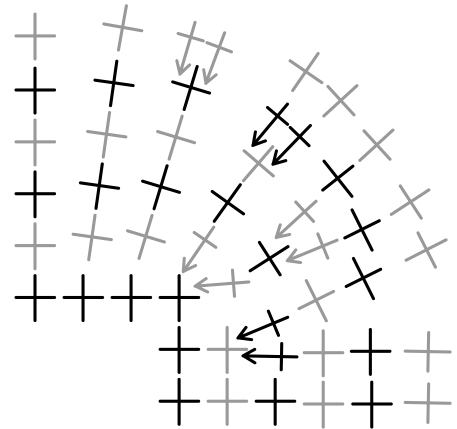
"Downton" Cardigan Charts

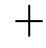

Pattern Stitch



 Double crochet
 Chain

Collar Corner Shaping



 Single crochet
 Single crohcet Here